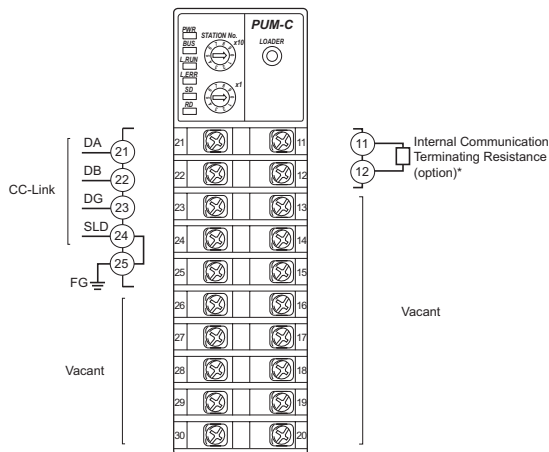


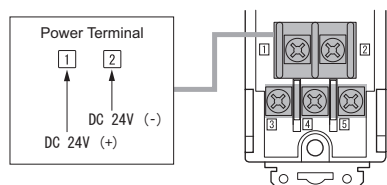
Wiring

- Front terminal block



* This terminating resistance is different from the CC-Link terminating resistance (this is the terminating resistance for inter-module communication). Install the resistance (100Ω) supplied with this controller.

- Base part (power terminal)



Note: The power cables more than one should not be connected.

Specification

General Specification

Power Supply	: DC24V±10%
Power Consumption	: Maximum 3.2W (135mA) [when DC24V is applied]
Dimensions	: 30 (W) × 100 (H) × 85 (D) mm (excluding the terminal cover and a projection)
Weight	: Approx. 200 g
Installation method	: Mounting on the wall or, install in the cabinet with the DIN rail with M3 screws
Ambient temperature *	: -10 to 50 degrees C * "Ambient temperature" is the temperature underneath the controller inside equipment or the cabinet where the controller is installed.
Ambient humidity	: 90% RH or less (non condensing)
System maximum modules	: Up to max. 17 modules of any Model PUMA/B/C/CL/CM/V/N/T plus to max 16 modules of Model PUME
System power	: 24V dc, 100W maximum, Class 2
Memory backup	: Nonvolatile memory (EEPROM) backup No. of updates : 100,000

Communication function

Compliant version	: CC-Link Ver.2.00 / 1.10
Station type	: Remote device station
Communication speed and distance	

Communication speed	156kbps	625kbps	2.5Mbps	5Mbps	10Mbps
Communication distance	1200m or less	900m or less	400m or less	200m or less	100m or less

* For more details, refer to "CC-Link Cable Wiring Manual" issued by CC-Link Partner Association.

No. of stations occupied / Station No.: 4 stations / Settable Station No. 1 to 61

Communication data length

No. of stations occupied / Extended cyclic	Remote input/output (RX/RV)	Remote register (RW/RWw)	Control module (PUM-A) No. of connectable units
4 stations occupied x 1	128 bit each	16 words each	2 or 4 units
4 stations occupied x 2	256 bit each	32 words each	4 or 8 units
4 stations occupied x 4	512 bit each	64 words each	8 or 16 units

Connecting cable	: Ver. 1.10 compliant CC-Link special cable
Connecting method	: M3 screw terminal block
Terminating resistance	: External (110 ohm, 1/2W)

Crimp terminal size

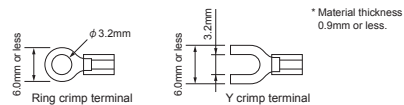
Please prepare cables and crimp terminals of the size indicated below.

When using a AWG-16 cable, you should use the crimp terminal that material thickness is 0.9mm or less.

Cable type	Size
Thermocouple (Compensation lead wire)	0.25 to 1.25mm ² (AWG 22 to 16)
Power supply, output, others	0.25 to 1.25mm ² (AWG 22 to 16)

Crimp terminal

Cable size	Screw tightening torque
0.25 to 1.25mm ² (AWG 22 to 16)	0.8 N·m



Model code

Enhanced communication module (CC-Link)

1	2	3	4	5	6	7	8	9	10	Contents
P	U	M							0	Module type
										Advanced communication module
										Communication function
										CC-Link communication
										Instruction manual
									A	Japanese
									B	English

Accessories (Optional)

1	2	3	4	5	6	7	8	Contents
P	U	M	Z	*				DIN rail mounting end plate
					A	0	2	Side connecting terminal cover (right & left 1 set)
					A	0	3	Front face screw terminal cover
					A	0	4	Loader connecting cable (RS-232C)
					L	0	1	

Fuji Electric Co., Ltd.

International Sales Div Sales Group

Gate City Ohsaki, East Tower, 11-2, Osaki 1-chome,
Shinagawa-ku, Tokyo 141-0032, Japan
http://www.fujielectric.com
Phone: 81-3-5435-7280, 7281 Fax: 81-3-5435-7425
http://www.fujielectric.com/products/instruments/