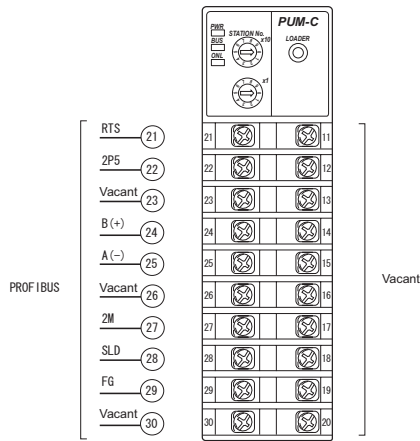
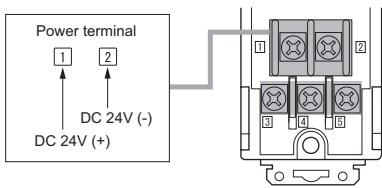


Terminal Figure

- Front face terminal block



- Base part (power terminal)

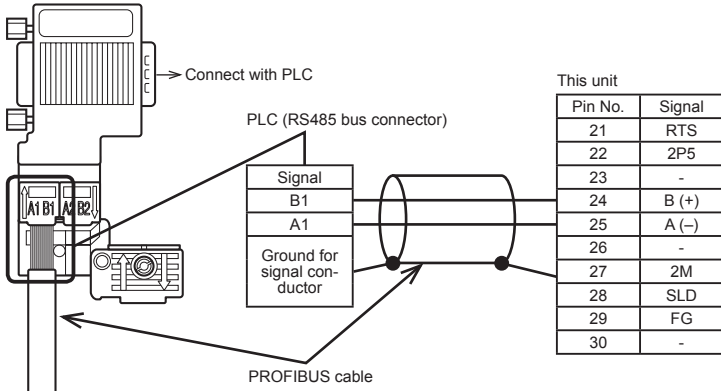


Note: Power cables more than one should not be connected between power terminals.

Wiring

Connection with PLC

Example of use:
SIMATIC S7-300
90° cable outlet (FastConnect system) with GP port



Specification

General Specification

Power Supply	: DC24V±10%
Power Consumption	: Maximum 3.2W (135mA) [when 24Vdc is applied]
Dimensions	: 30(W)×100(H)×85(D) mm (excluding projection and terminal cover)
Weight	: Approx. 200g
Installation Method	: DIN rail mounting or mounting with M3 screws inside a cabinet
Ambient Temperature*	: -10 to 50 degrees C
	* "Ambient temperature" is the temperature underneath the controller inside the equipment or the cabinet where the controller is installed.
Ambient Humidity	: 90%RH or less (no condensing)
System maximum modules	: Up to max. 17 modules of any Model PUMA/B/C/CL/CM/V/N/T plus to max 16 modules of Model PUME
System power	: 24V dc, 100W maximum, Class 2
Memory Backup	: Nonvolatile memory (EEPROM) backup
	No. of updates: 100,000

Communication Functions

Compatible version : PROFIBUS DP-V0 (cyclic communication)
Device type : Slave device

Communication speed and distance

Communication speed	93.75kbps or less	187.5kbps	500kbps	1.5Mbps	3M/6M/12Mbps
Communication distance	1200m or less	1000m or less	400m or less	200m or less	100m or less

*Refer to " PROFIBUS type A cable ".

Station No.: 1 to 99

Communication data length (cyclic communication)

Remote input/output bit	Remote input/output word
64 bits	8 words
128 bits	16 words
256 bits	32 words
512 bits	64 words
864 bits	108 words

Connecting cable : PROFIBUS type A compatible PROFIBUS connecting cable
Connecting method : M3 screw terminal block
Terminating resistance : External (220 ohm, 1/2W) or internal switch setting.

Crimp terminal size

Please prepare cables and crimp terminals of the size indicated below.

Power cable

Cable type	Size
Power supply, output, others	0.25 to 1.25mm ² (AWG 22 to 16)

Crimp terminal

Cable size	Screw tightening torque
0.25 to 1.25mm ² (AWG 22 to 16)	0.8 N·m



Model code

Enhanced communication module (PROFIBUS)

1	2	3	4	5	6	7	8	9	10	Contents	
P	U	M							0		Module type
											Enhanced communication module
											Communication functions
											PROFIBUS communication
											Instruction Manual
								A			Japanese
								B			English

Accessories (Optional)

1	2	3	4	5	6	7	8	Contents		
P	U	M	Z	*				A	0 2	DIN rail mounting endplate
								A	0 3	Side connector termination cover (right & left 1 set)
								A	0 4	Front face screw terminal cover
								L	0 1	Loader connecting cable (RS-232C)

Fuji Electric Co., Ltd.

International Sales Div Sales Group

Gate City Ohsaki, East Tower, 11-2, Osaki 1-chome,
Shinagawa-ku, Tokyo 141-0032, Japan
http://www.fujielectric.com
Phone: 81-3-5435-7280, 7281 Fax: 81-3-5435-7425
http://www.fujielectric.com/products/instruments/