

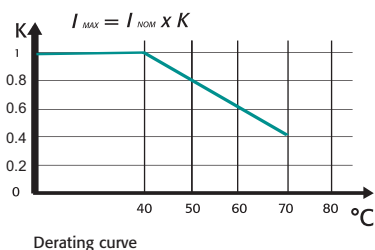
GENERAL DESCRIPTION



- Revo M has been specifically designed to be an Universal Unit
- RS485 Comm. MODBUS Protocol Standard
- Frontal Key Pad to configure the unit and to read V,I and Power
- Configurability via RS485, USB Port and frontal Key Pad
- Microprocessor based electronic circuit fully isolated from power
- Universal input signal: RS485,Pot, Analog and SSR
- Firing Mode: Zero Crossing and Burst Firing Mode with programmable cycle time
- Configurable Control Mode: V and VxI and I
- Heater Break alarm to diagnose partial or total load failure and Thyristor Short circuit
- Digital input configurable
- Fixed Fuses Standard
- Current transformer integrated in the unit
- Comply with EMC, cUL pending
- IP20 Protection
- Panel mounting

TECHNICAL SPECIFICATION

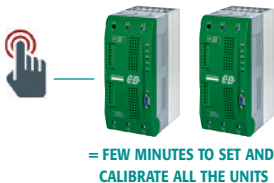
Voltage power supply	From 24V to 480V Max (Std) or 600V on request		
Voltage Frequency	50 or 60 Hz no setting needed from 47 to 70 Hz		
Nominal Current	60A, 90A, 120A, 150A, 180A, 210A		
Input Signal	SSR (logic)	4:30Vdc	5mA Max (On ≥ 4Vdc Off ≤ 1Vdc);
	Voltage input	0:10Vdc	impedance 15 K ohm;
	Current input	0:20/4:20mA	impedance 100 Ohm;
Digital input	4:30V dc 5 mA Max (On > 4Vdc Off < 1Vdc)		
Firing	Burst Firing and Zero Crossing with possibility to set number of Burst and cycle time		
Control Mode	Voltage Current and Power selectable via frontal Key Pad, and RS485 or via Digital input to transfer from one control mode to another one to establish a control strategy.		
Auxiliary Voltage Supply	90:130Vac	8VA Max	
	170:265Vac	8VA Max	(Standard)
	230:345Vac	8VA Max	
	300:530Vac	8VA Max	(Standard)
	510:690Vac	8VA Max	
Heater Break Alarm	HB alarm setting on front unit or RS485 with possibility to set sensitivity. Relay output 0,5A at 110V		
Mounting	Panel Mounting		
Operating Temperature	40 °C without derating. Over this temperature see below derating curve		
Storage temperature	-25 °C to 70 °C Max		
Altitude	Over 1000 m of altitude reduce the nominal current of 2% for each 100m		
Humidity	From 5 to 95% without condense and ice		



OPTION'S FEATURES AND SPECIAL DETAILS

HEATER BREAK ALARM HB

ON FRONT CABINET



The Heater Break circuit diagnostic partial or total load failure. It reads load resistance with an internal voltage transducer and current transformer to calculate the resistance value V/I .

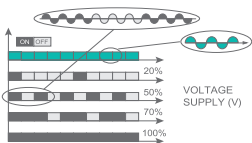
The Heater Break circuit is compensated for voltage fluctuation, in fact a voltage variation has no influence on resistance value because V/I ratio remain constant.

On this unit is possible to set the nominal resistance value and the alarm sensitivity.

HB alarm in addition diagnostic the thyristor in short circuit.

A normally open contact gives the alarm condition and an indication of the alarm type appears on display.

BURST FIRING BF



This firing is performed digitally within the thyristor unit at zero volts, producing no EMC interference. Analogue input is necessary for BF and the number of complete cycles must be specified for 50% power demand. This value can be between 1 and 255 complete cycles, determining the speed of firing. When 1 is specified, the firing mode becomes Single Cycle (SC).

FIELD BUS MODULE



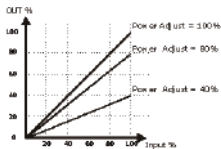
CD-RS Used to convert RS232 to RS422

TU-RS485-PDP Used to convert RS485 Modbus to Profibus DP

TU-RS485-ETH Used to convert RS485 Modbus to Ethernet

For more informations see "Field Bus Module"

POWER SCALING



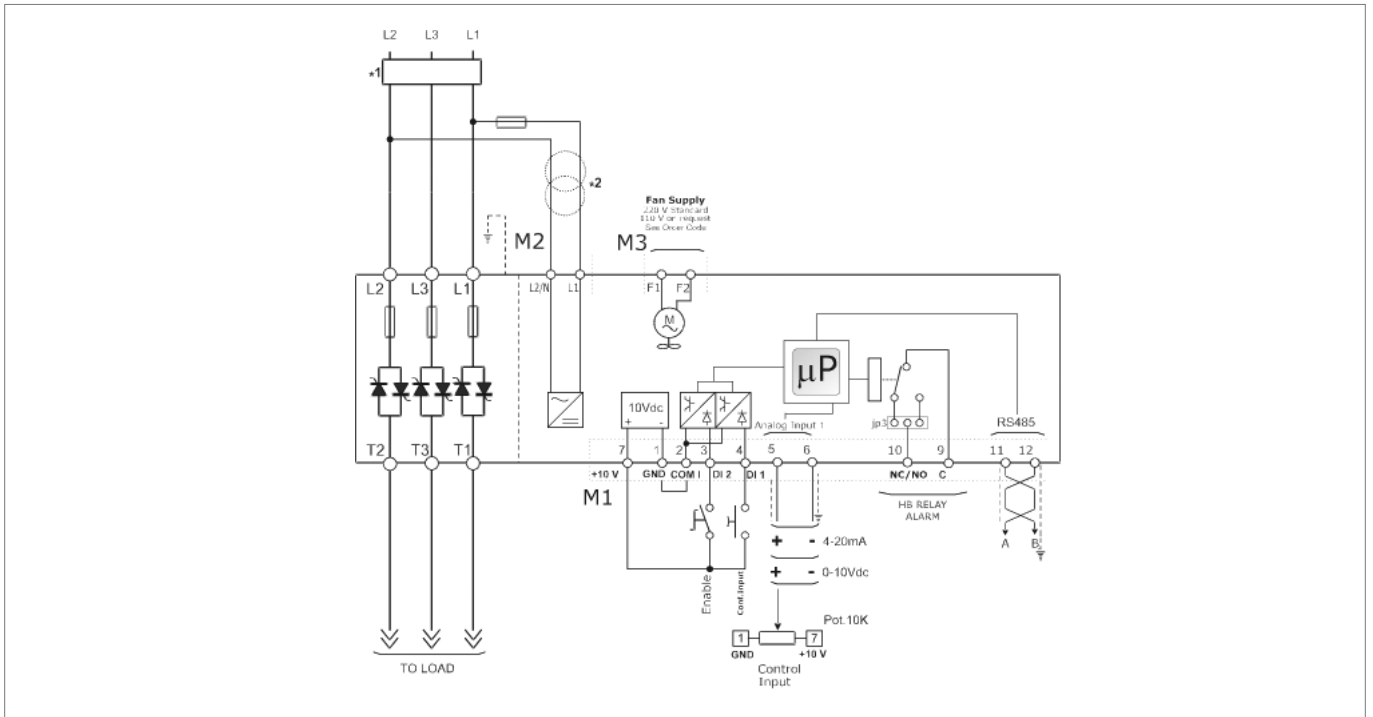
It's a scaling factor of the input command signal and limit the output of Thyristor unit. This parameter can be adjusted from 1 to 99% via RS485 or by the front of the unit. If this parameter is set at 50% and the input signal is 100% the output become 50%. This feature is very useful to reduce the power when a zone has been oversized or when a temperature controller gives same reference to more unit along a furnace.

Imagine 3 zones with left and right one close to the door where in a continuous furnace the material come into and flow out. The profile of temperature along furnace is higher in central zone because there is less dispersion but if we scale its input we can have a flat profile.

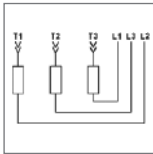
APPLICATIONS AND FOCUS ON:

- Infrared lamp.
- Fournaces.
- Petrochemical
- Dryers
- Pharmaceutical
- Autoclaves.
- Chemical
- Extrusion line.
- Climatic chambers

WIRING CONNECTION REVO M 3PH from 60A to 210A

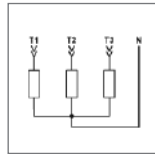


LOAD TYPE



OPEN DELTA
Resistive or
Infrared Lamps
Long and
medium waves

LOAD TYPE

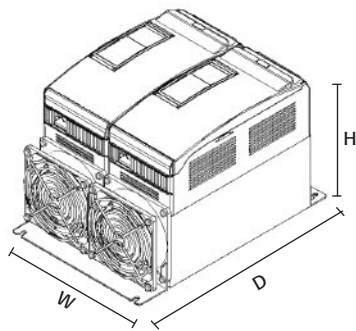


STAR with neutral
Resistive or
Infrared Lamps
Long and
medium waves

NOTE

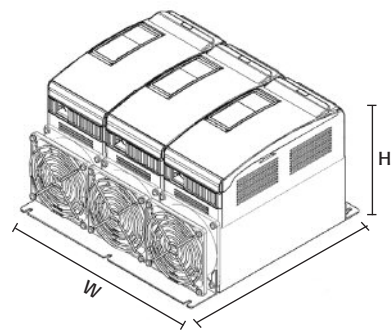
- The user installation must be protected by electromagnetic circuit breaker or by fuse isolator.
The semiconductor I2t should be 20% less than power controller I2t.
Semiconductor fuses are classified for UL as supplementar protection for semiconductor. They are note approved for branch circuit protection.
- The auxiliary voltage supply of the Revo M unit must be synchronized with load voltage power supply. If the Auxiliary Voltage (written on the identification label) is different from Supply Voltage (to the load), use an external transformer as designated.

DIMENSION AND FIXING HOLES



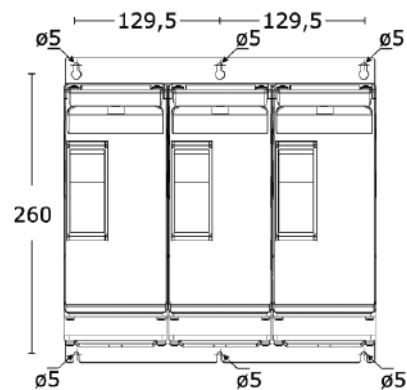
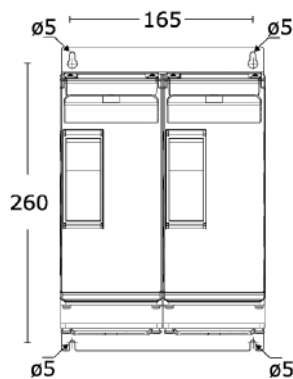
SR16 W 186 mm. - H 273 mm. - D 170 mm. - kg. 7

60A - 90A



SR17 W 279 mm. - H 273 mm. - D 170 mm. - kg. 10,6

120A ÷ 210A



OUTPUT FEATURES (POWER DEVICE)

Current A	Voltage range (V)	Ripetitive peak reverse voltage (480V) (600V)		Latching current (mAeff)	Max peak one cycle (10msec.)	Leakage current (mAeff)	I2T value for fusing tp=10msec.	Frequency range (Hz)	Power loss I=Inom (W)	Isolation Voltage Vac
60A	24÷600V	1200	1600	450	1000	15	4750	47÷70	195	2500
90A	24÷600V	1200	1600	450	2000	15	19100	47÷70	252	2500
120A	24÷600V	1200	1600	450	1540	15	11300	47÷70	414	2500
150A	24÷600V	1200	1600	450	2000	15	19100	47÷70	486	2500
180A	24÷600V	1200	1600	300	4800	15	108000	47÷70	534	2500
210A	24÷600V	1200	1600	300	5250	15	128000	47÷70	606	2500

Fan Specification

Supply: 230V Standard	Input Power 16W
Supply: 115V Option	Input Power 14W

ORDERING CODES REVO M 3PH

Note 1

	1	2	3	4	5	6	7	8	9	10	11	12	13	14	15	16
REVO M - 3 PH	R	M	3	-	-	-	-	-	-	-	-	-	-	-	-	-

4,5,6 Current	
Description code	Numeric code
60A	0 6 0
90A	0 9 0
120A	1 2 0
150A	1 5 0
180A	1 8 0
210A	2 1 0

7 Max Voltage	
Description code	Numeric code
480V	4
600V	6

8 Aux. Voltage supply	
Description code	Numeric code
90:130V (2)	1
170:265V (2)	2
230:345V (2)	3
300:530V (2)	5
510:690V (2)	6

9 Input	
Description code	Numeric code
SSR	S
0:10V dc	V
4:20mA	A
10KPot	K
RS485	R

10 Firing	
Description code	Numeric code
Zero Crossing ZC	Z
Burst Firing BF	B

11 Control Mode	
Description code	Numeric code
Open Loop	0
Voltage Feed Back V	U
Power Feed Back VxI	W
Current Feed Back	I

12 Fuse & Option	
Description code	Numeric code
Fixed Fuses	F
Fixed Fuse + CT	Y
Fixed Fuse +CT +HB	H
Control Mode Retransmission 4:20mA	A
Control Mode Retransmission 0:10V	V

13 Fan Voltage	
Description code	Numeric code
Fan 110V	1
Fan 220V Std Version	2

14 Approvals	
Description code	Numeric code
CE EMC For European Market	0
cUL For American Market, Pending	L

15 Manual	
Description code	Numeric code
None	0
Italian Manual	1
English Manual	2
German Manual	3
French Manual	4

16 Version	
Description code	Numeric code
Std with fixed Fuses	1

LEGEND

CT = Current Transformer
HB = Heater Break Alarm

Note (1): After 16th digit write current and voltage of load inside brackets Ex. (40A-400V)
Note (2): Load voltage must be included in Selected Auxiliary Voltage Range

