

GENERAL DESCRIPTION

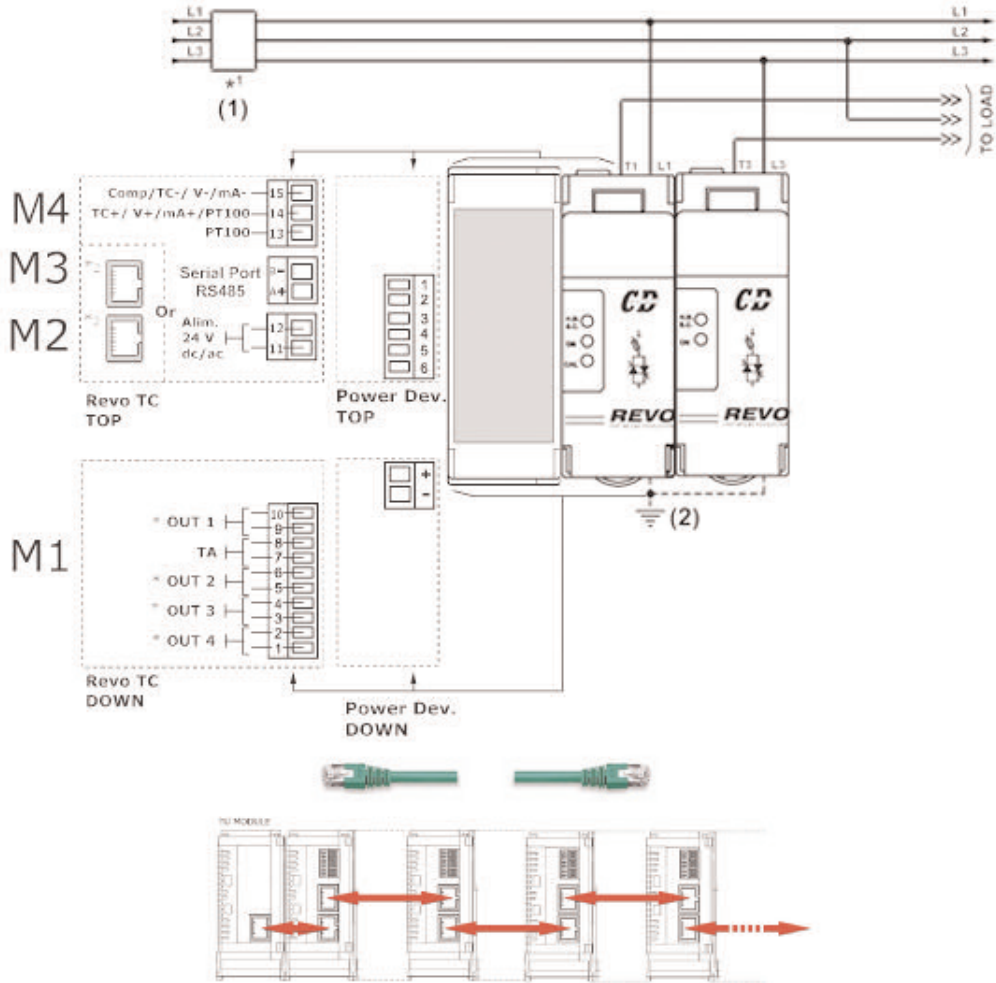
- Integrate Fuse + Fuse Holder with built in Current Transformer
- Current Transformer integrated when HB option is selected on Controller
- Input signal SSR standard analogue is an option
- Zero crossing firing
- Electronic fully isolated from power with constant current drain on input
- Special heat Sink with very high dissipation value
- Operating temperature 40° C without derating
- Comply with EMC
- DIN RAIL side by side mounting
- IP20 protection

TECHNICAL SPECIFICATION TEMPERATURE CONTROLLER

- PID Temperature controller
- Automatic Tuning of PID parameters with Self Tune or Pretune procedure
- Manual setting when requested of PID parameters
- Three pallets of PID parameters can be enabled at programmed PV value
- Dual Display to read PV,Set Point ,Load current and all parameters
- Universal input for Thermocouple ,RTD and linear input
- Four configurable outputs as Relay,SSR,and 4:20mA
- Heating and Cooling controller with possibility to select the type of cooling for fan, water and oil
- RS485 communication from 19200 to 57600 Bauds Modbus RTU protocol
- The controller can be configured from front push button or via RS485 comm. or via USB port on front controller using CD Automation programming cable
- Auto/Manual with Bumpless Transfer facility
- Heater Break Alarm to diagnostic partial or total load failure
- RS485 port RTU Modbus Protocol
- Comply with CE-EMC
- Screw terminals as standard
- DIN rail mounting
- Dimensions Width: 36 Height: 121 Depth: 86
- Flat cable and connectors for multiple controller system

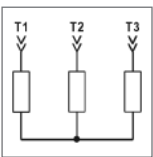
WIRING CONNECTION REVO-TC 2PH from 30A to 40A

REVO-TC 2PH from 30 to 40A



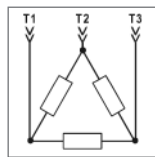
- See Out terminal chapter for more informations on manuals
- 2 Only with flat wiring system Option: connect with proper cable (RJ45 Cat 5E Patch Cable UTP) as shown:

LOAD TYPE



STAR without neutral
Resistive or
Infrared Lamps
Long and
medium waves

LOAD TYPE

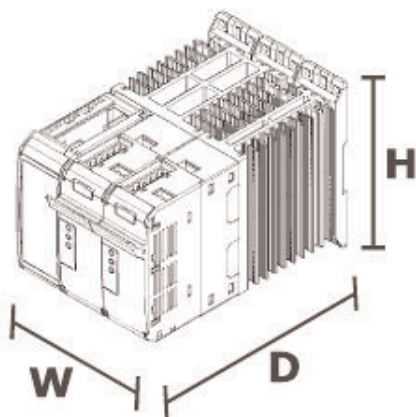


DELTA
Resistive or
Infrared Lamps
Long and
medium waves

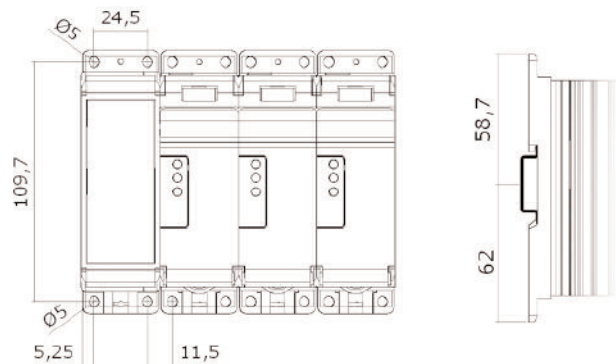
NOTE

- A suitable device must ensure that the unit can be electrically isolated from the supply, this allows the qualified people to work in safety.
 - The user installation must be protecting by electromagnetic circuit breaker or by fuse isolator. The semiconductor fuses are classified for UL as supplementary protection for semiconductor.
- The heat-sink must be connected to the earth.

DIMENSION AND FIXING HOLES

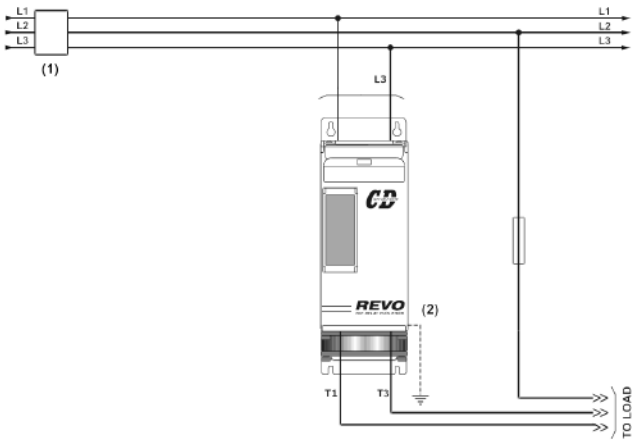


W 108 mm. - H 121 mm. - D 185 mm. - kg. 1,76

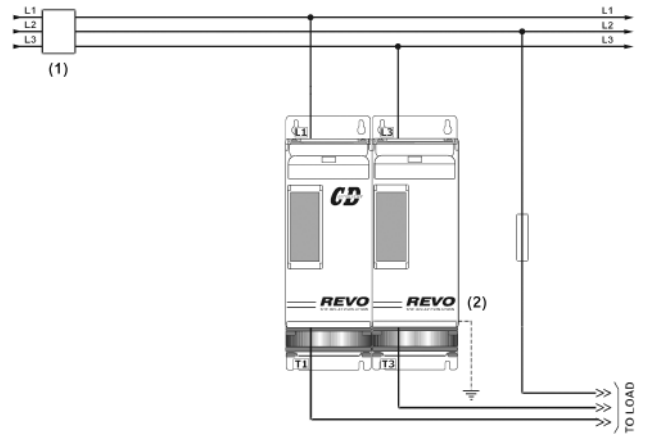


WIRING CONNECTION REVO-TC 2PH from 60A to 210A

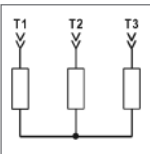
CD3000S 2PH from 60 to 90A



REVO-TC 2PH from 120 to 210A

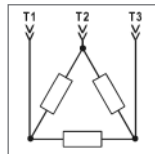


LOAD TYPE



STAR without neutral
Resistive or
Infrared Lamps
Long and
medium waves

LOAD TYPE

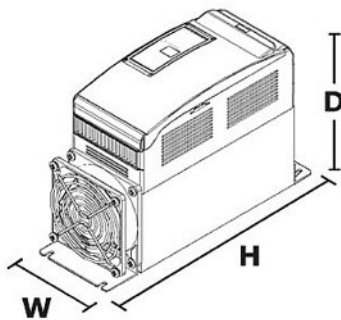


DELTA
Resistive or
Infrared Lamps
Long and
medium waves

NOTE

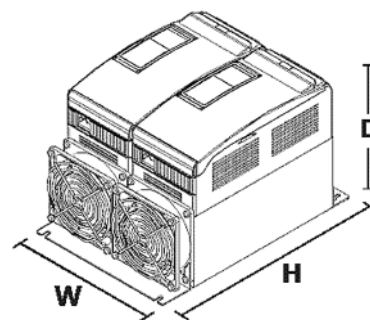
- (1) • A suitable device must ensure that the unit can be electrically isolated from the supply, this allows the qualified people to work in safety.
- The user installation must be protecting by electromagnetic circuit breaker or by fuse isolator. The semiconductor fuses are classified for UL as supplementary protection for semiconductor.
- (2) • The heat-sink must be connected to the earth.

DIMENSION AND FIXING HOLES



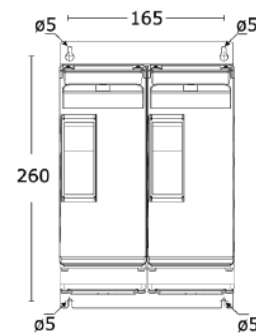
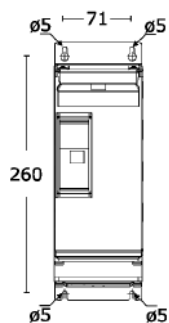
SR15 W 93 mm. - H 273 mm. - D 170 mm. - kg. 3,6

60A - 90A

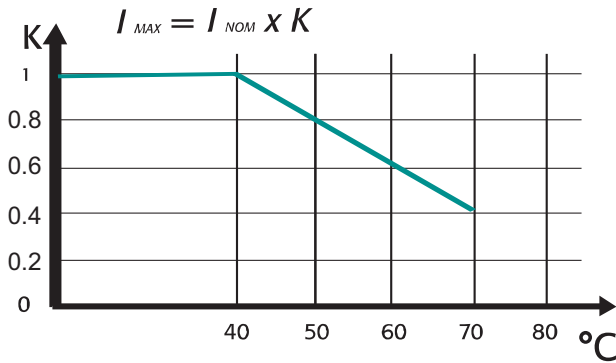


SR16 W 186 mm. - H 273 mm. - D 170 mm. - kg. 7

120A ÷ 210A



DERATING CURVES



REVO TC-TC has been sized for operating temperature of 40° C
Over this temperature use the graphic above

OUTPUT FEATURES (POWER DEVICE)

| Current A | Voltage range (V) | Ripetitive peak reverse voltage (480V) (600V) | Latching current (mAeff) | Max peak one cycle (10msec.) | Leakage current (mAeff) | I2T value for fusing tp=10msec. | Frequency range (Hz) | Power loss I=inom (W) | Isolation Voltage Vac | |
|-----------|-------------------|---|--------------------------|------------------------------|-------------------------|---------------------------------|----------------------|-----------------------|-----------------------|------|
| 60A | 24+600V | 1200 | 1600 | 450 | 1000 | 15 | 4750 | 47+70 | 130 | 2500 |
| 90A | 24+600V | 1200 | 1600 | 450 | 2000 | 15 | 19100 | 47+70 | 168 | 2500 |
| 120A | 24+600V | 1200 | 1600 | 450 | 1540 | 15 | 11300 | 47+70 | 276 | 2500 |
| 150A | 24+600V | 1200 | 1600 | 450 | 2000 | 15 | 19100 | 47+70 | 324 | 2500 |
| 180A | 24+600V | 1200 | 1600 | 300 | 4800 | 15 | 108000 | 47+70 | 356 | 2500 |
| 210A | 24+600V | 1200 | 1600 | 300 | 5250 | 15 | 128000 | 47+70 | 404 | 2500 |

FAN SPECIFICATION

Supply: 230V Standard

Input Power 16W

Supply: 115V Option

Input Power 14W

ORDERING CODES REVO-TC 2PH

| | 1 | 2 | 3 | 4 | 5 | 6 | 7 | 8 | 9 | 10 | 11 | 12 | 13 | 14 | 15 | 16 |
|--------------------|---|---|---|---|---|---|---|---|---|----|----|----|----|----|----|----|
| REVO TC 2PH | T | C | 2 | - | - | - | - | - | - | - | - | - | - | - | - | - |

| 3 Phase Controlled | |
|--------------------|------|
| Description | Code |
| 2 PHASE UNIT 2PH | 2 |

| 4,5,6 Phase Current 1PH/2PH/3PH | |
|---------------------------------|-----------|
| Description | Code |
| 30A | 0 3 0 (3) |
| 35A | 0 3 5 |
| 40A | 0 4 0 |
| 60A | 0 6 0 |
| 90A | 0 9 0 |
| 120A | 1 2 0 |
| 150A | 1 5 0 |
| 180A | 1 8 0 |
| 210A | 2 1 0 (2) |

| 7 Max Voltage | |
|---------------|------|
| Description | Code |
| 480V | 4 |
| 600V | 6 |

| 8 Aux. Voltage supply | |
|-----------------------|------|
| Description | Code |
| 12:24V ac dc | 4 |

| 9 Input | |
|--------------|------|
| Description | Code |
| Thermocouple | T |
| Pt 100 | N |
| 0:10V dc | V |
| 4:20mA | A |

| 10 Output 2 | |
|----------------|------|
| Description | Code |
| Relay Output 2 | R |
| Heating Only | 0 |

| 11 Output 3 | |
|-------------------------|------|
| Description | Code |
| 1 off D/I 24v d.c. | 1 |
| 1 off D/O Relay contact | 2 |

| 12 Fuse & Option | |
|-------------------------------|------|
| Description | Code |
| For All Units = < 40A | |
| Fuse & Fuse Holder | F |
| Fuse & Fuse Holder + CT | Y |
| +CT +HB with screw terminals | H |
| Fuse & Fuse Holder | |
| +CT +HB with Flat Cable | X |
| For All Units > 40A | |
| Fixed Fuses Standard | F |
| Fixed Fuse Standard + CT | Y |
| Fixed Fuse Standard + CT + HB | H |

| 13 Fan Option | |
|-------------------------|------|
| Description | Code |
| No fan for unit ≤ 90A | 0 |
| Fan 110V for unit > 90A | 1 |
| Fan 220V for unit > 90A | 2 |

| 14 Approvals | |
|----------------------------|------|
| Description | Code |
| CE EMC For European Market | 0 |

| 15 Manual | |
|----------------|------|
| Description | Code |
| None | 0 |
| Italian Manual | 1 |
| English Manual | 2 |
| German Manual | 3 |
| French Manual | 4 |

| 16 Version | |
|--|-------|
| Description | Code |
| Standard unit with a single fuse | 1 |
| Unit with 2 Fuses + Fuse Holder ≤ 40A (Just on single phase units) | 2 (4) |

LEGEND

CT = Current Transformer

HB = Heater Break Alarm

Note (1): Fixed fuses over 40A

Note (2): The temperature controller can be mounted as an option on all CD automation Thyristor unit

Note (3): Available on 2 - 3PH only

Note (4): Available on RT1 only

