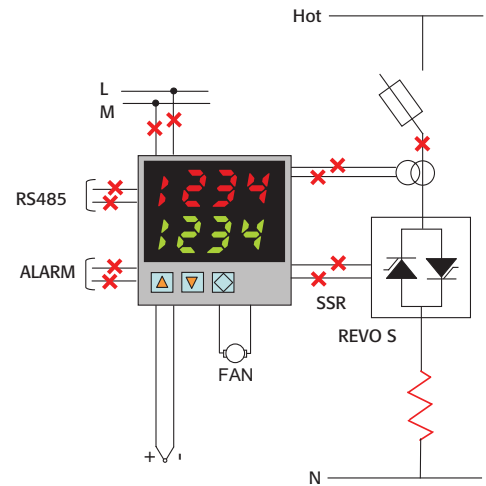




REVO-TC 3PH Temperature + Thyristor



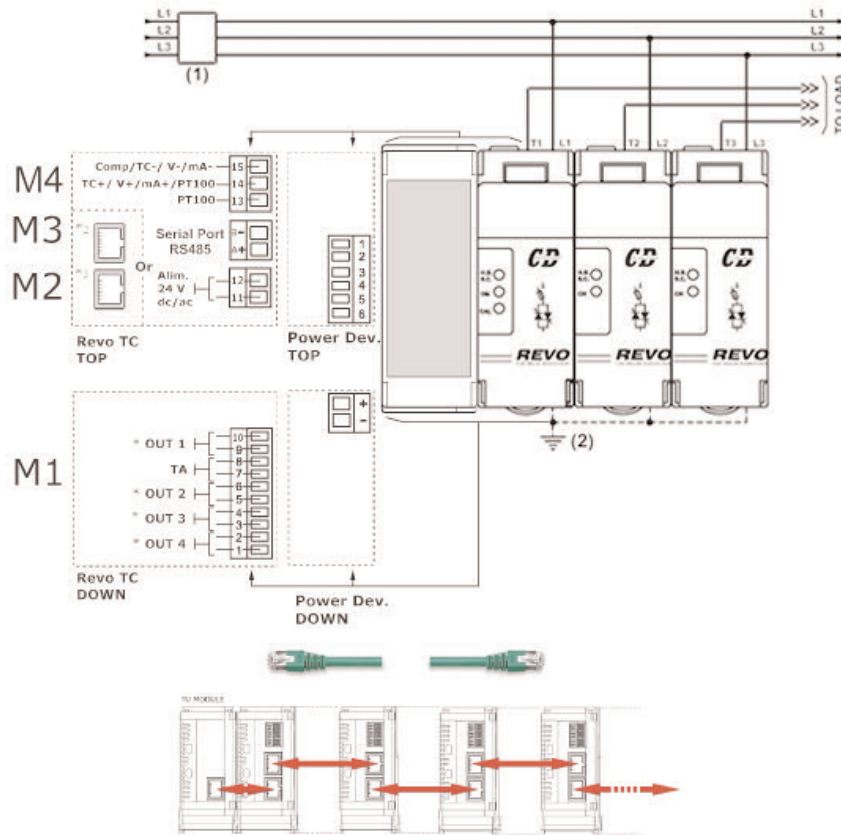
GENERAL DESCRIPTION

- Integrate Fuse + Fuse Holder with built in Current Transformer
- Current Transformer integrated when HB option is selected on Controller
- Universal Input
- Zero crossing firing
- Special heat Sink with very high dissipation value
- Operating temperature 40° C without derating
- Comply with EMC
- DIN RAIL side by side mounting
- IP20 protection

TECHNICAL SPECIFICATION TEMPERATURE CONTROLLER

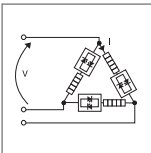
- PID Temperature controller
- Automatic Tuning of PID parameters with Self Tune or Pretune procedure
- Manual setting when requested of PID parameters
- Three pallets of PID parameters can be enabled at programmed PV value
- Dual Display to read PV,Set Point ,Load current and all parameters
- Universal input for Thermocouple ,RTD and linear input
- Four configurable outputs as Relay,SSR,and 4:20mA
- Heating and Cooling controller with possibility to select the type of cooling for fan, water and oil
- RS485 communication from 19200 to 57600 Bauds Modbus RTU protocol
- The controller can be configured from front push button or via RS485 comm. or via USB port on front controller using CD Automation programming cable
- Auto/Manual with Bumpless Transfer facility
- Heater Break Alarm to diagnostic partial or total load failure
- RS485 port RTU Modbus Protocol
- Comply with CE-EMC
- Screw terminals as standard
- DIN rail mounting
- Dimensions Width: 36 Height: 121 Depth: 86
- Flat cable and connectors for multiple controller system

WIRING CONNECTION REVO-TC 3PH from 30A to 40A



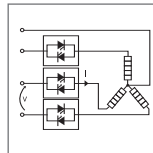
- See Out terminal chapter for more informations on manuals
- 2 Only with flat wiring system Option: connect with proper cable (RJ45 Cat 5E Patch Cable UTP) as shown:

LOAD TYPE



OPEN DELTA
Resistive or
Infrared Lamps
Long and
medium waves

LOAD TYPE

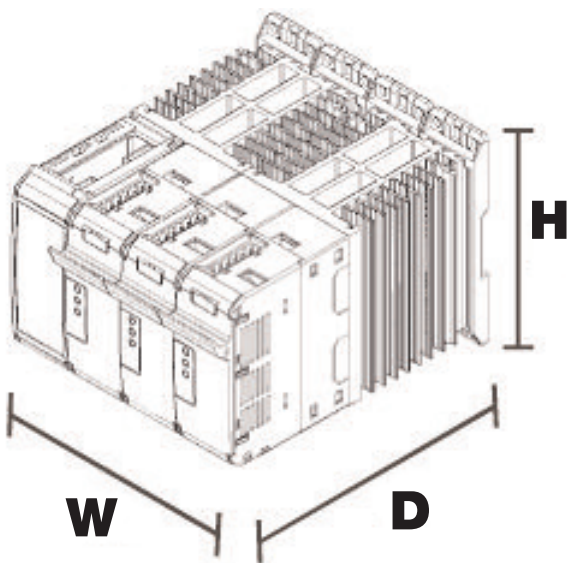


STAR with neutral
Resistive or
Infrared Lamps
Long and
medium waves

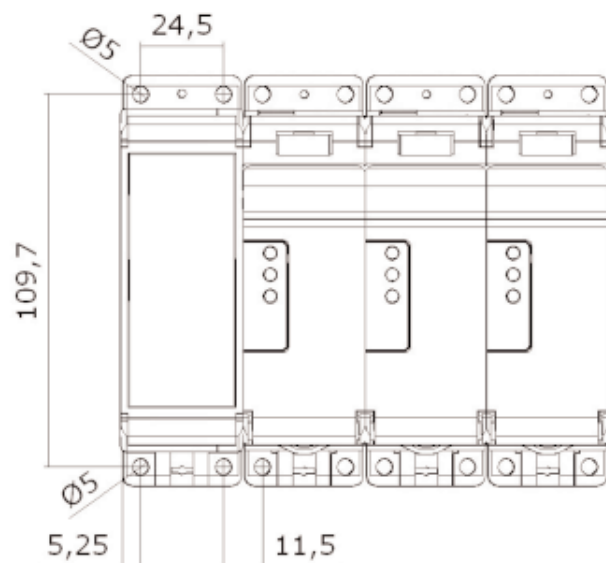
NOTE

- (1) • A suitable device must ensure that the unit can be electrically isolated from the supply, this allows the qualified people to work in safety.
 - The user installation must be protecting by electromagnetic circuit breaker or by fuse isolator. The semiconductor fuses are classified for UL as supplementer protection for semiconductor.
- (2) • The heat-sink must be connected to the earth.
- (3) • Only for the HB option

DIMENSION AND FIXING HOLES

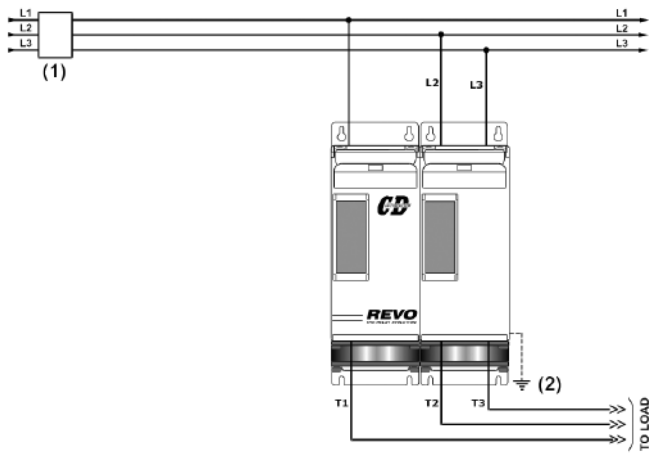


W 144 mm. - H 121 mm. - D 185 mm. - kg. 2,4

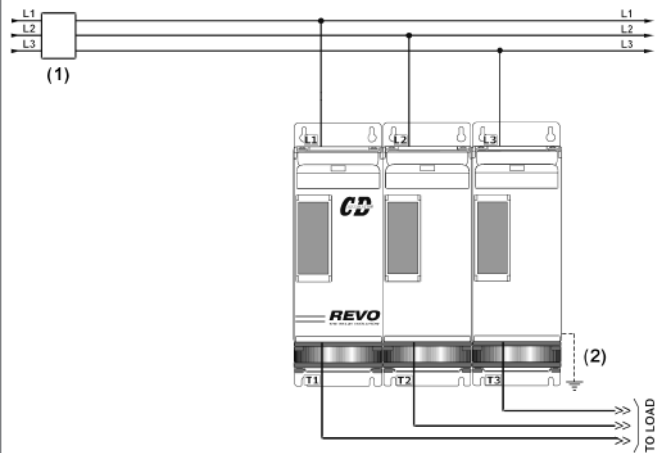


WIRING CONNECTION REVO-TC 3PH from 60A to 210A

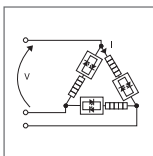
REVO-TC 3PH from 60 to 90A



REVO-TC 3PH from 120 to 210A

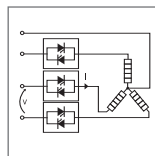


LOAD TYPE



OPEN DELTA
Resistive or
Infrared Lamps
Long and
medium waves

LOAD TYPE

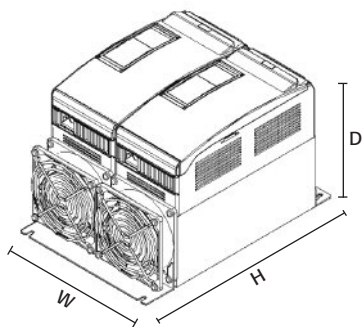


STAR with neutral
Resistive or
Infrared Lamps
Long and
medium waves

NOTE

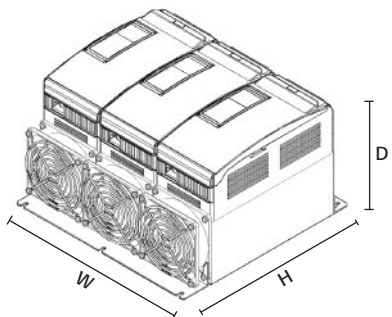
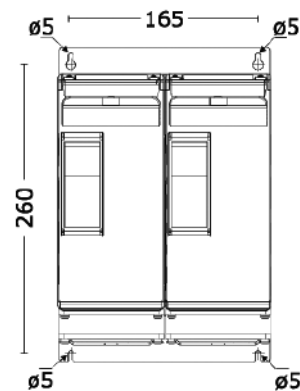
- (1) • A suitable device must ensure that the unit can be electrically isolated from the supply, this allows the qualified people to work in safety.
- The user installation must be protecting by electromagnetic circuit breaker or by fuse isolator. The semiconductor fuses are classified for UL as supplementar protection for semiconductor.
- (2) • The heat-sink must be connected to the earth.

DIMENSION AND FIXING HOLES



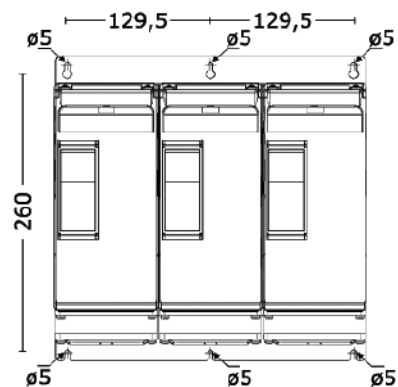
SR16 W 186 mm. - H 273 mm. - D 170 mm. - kg. 7

60A - 90A

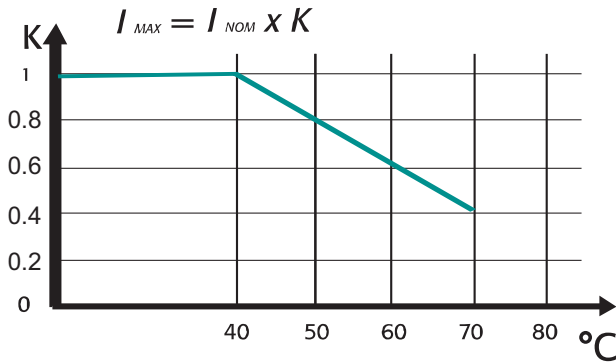


SR17 W 279 mm. - H 273 mm. - D 170 mm. - kg. 10

120A+210A



DERATING CURVES



REVO TC-TC has been sized for operating temperature of 40° C
Over this temperature use the graphic above

OUTPUT FEATURES (POWER DEVICE)

Current A	Voltage range (V)	Ripetitive peak reverse voltage (480V) (600V)	Latching current (mAeff)	Max peak one cycle (10msec.)	Leakage current (mAeff)	I2T value for fusing tp=10msec.	Frequency range (Hz)	Power loss I=inom (W)	Isolation Voltage Vac	
60A	24÷600V	1200	1600	450	1000	15	4750	47÷70	195	2500
90A	24÷600V	1200	1600	450	2000	15	19100	47÷70	251	2500
120A	24÷600V	1200	1600	450	1540	15	11300	47÷70	414	2500
150A	24÷600V	1200	1600	450	2000	15	19100	47÷70	486	2500
180A	24÷600V	1200	1600	300	4800	15	108000	47÷70	534	2500
210A	24÷600V	1200	1600	300	5250	15	128000	47÷70	606	2500

FAN SPECIFICATION

Supply: 230V Standard

Input Power 16W

Supply: 115V Option

Input Power 14W

ORDERING CODES REVO-TC 3PH

	1	2	3	4	5	6	7	8	9	10	11	12	13	14	15	16
REVO TC 3PH	T	C	3	-	-	-	-	-	-	-	-	-	-	-	-	-

3 Phase Controlled	
Description	Code
1 PHASE UNIT 3PH	3

7 Max Voltage	
Description	Code
480V	4
600V	6

11 Output 3	
Description	Code
1 off D/I 24v d.c.	1
1 off D/O Relay contact	2

14 Approvals	
Description	Code
CE EMC For European Market	0

4,5,6 Phase Current 1PH/2PH/3PH	
Description	Code
30A	0 3 0 (3)
35A	0 3 5
40A	0 4 0
60A	0 6 0
90A	0 9 0
120A	1 2 0
150A	1 5 0
180A	1 8 0
210A	2 1 0 (2)

8 Aux. Voltage supply	
Description	Code
12:24V ac dc	4

12 Fuse & Option	
Description	Code
For All Units < 40A Fuse & Fuse Holder	F
Fuse & Fuse Holder + CT	Y
Fuse & Fuse Holder +CT +HB with screw terminals	H
Fuse & Fuse Holder +CT +HB with Flat Cable	X
For All Units > 40A Fixed Fuses Standard	F
Fixed Fuse Standard + CT	Y
Fixed Fuse Standard + CT + HB	H

15 Manual	
Description	Code
None	0
Italian Manual	1
English Manual	2
German Manual	3
French Manual	4

9 Input	
Description	Code
Thermocouple	T
Pt 100	N
0:10V dc	V
4:20mA	A

10 Output 2	
Description	Code
Relay Output 2	R
Heating Only	0

13 Fan Option	
Description	Code
No fan for unit ≤ 90A	0
Fan 110V for unit > 90A	1
Fan 220V for unit > 90A	2

16 Version	
Description	Code
Standard unit with a single fuse	1
Unit with 2 Fuses + Fuse Holder ≤40A (Just on single phase units)	2 (4)

LEGEND

CT = Current Transformer
HB = Heater Break Alarm

Note (1): Fixed fuses over 40A

Note (2): The temperature controller can be mounted as an option on all CD automation Thyristor unit

Note (3): Available on 2 - 3PH only

Note (4): Available on RT1 only

