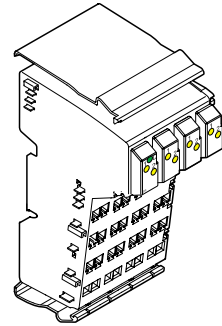


VARIO DI 8/24

I/O Extension Module With Eight Digital Inputs



55521001

User Manual

02/2003



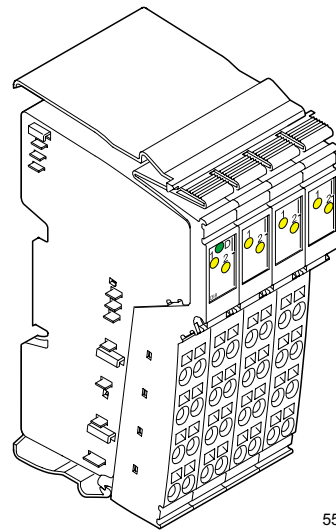
This data sheet is only valid in association with the documents of the used fieldbus coupler

Function

This terminal is used to accept 24 V digital input signals from sourcing devices.

Features

- Connections for eight digital sensors
- Connection of sensors in 2-, 3-, and 4-wire technology
- Maximum permissible load current per sensor: 250 mA
- Maximum permissible load current from the terminal: 2.0 A
- Diagnostic and status indicators



5552A006

Figure 1

VARIO DI 8/24 module with the connectors plugged in



All modules will be delivered including connectors and labeling fields

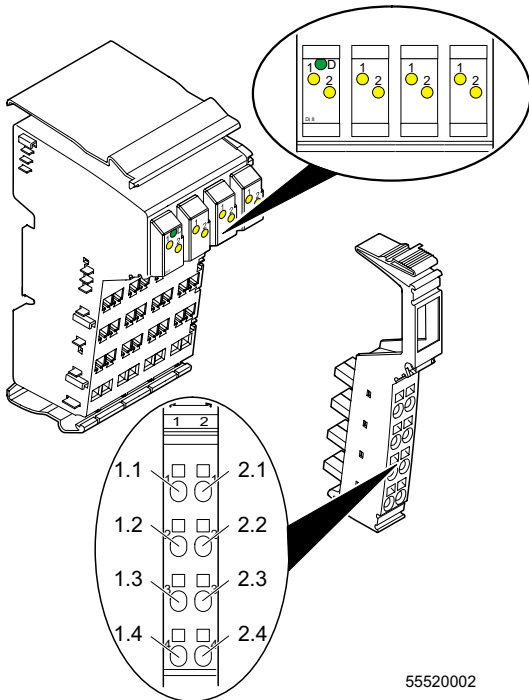


Figure 2 VARIO DI 8/24 module with an appropriate connector

Local Diagnostic and Status Indicators

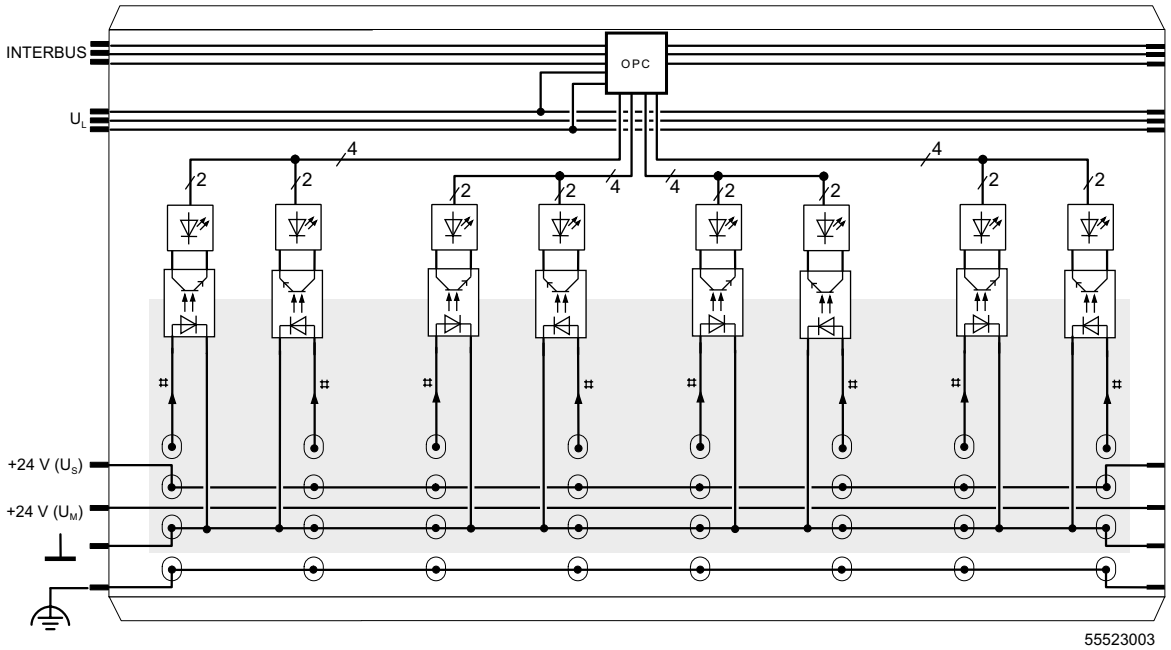
Des.	Color	Meaning
D	Green	Bus diagnostics
Each connector		
1, 2	Yellow	Status indication of the inputs

Terminal Assignment for Each Connector

Terminal Point	Assignment
1.1, 2.1	Signal input (IN)
1.2, 2.2	Segment voltage U_S for 2-, 3-, and 4-wire termination
1.3, 2.3	Ground contact (GND) for 3- and 4-wire-termination
1.4, 2.4	FE connection for 4-wire-termination

55520002



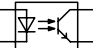

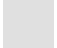
Internal Circuit Diagram



55523003

Figure 3 Internal wiring of the terminal points

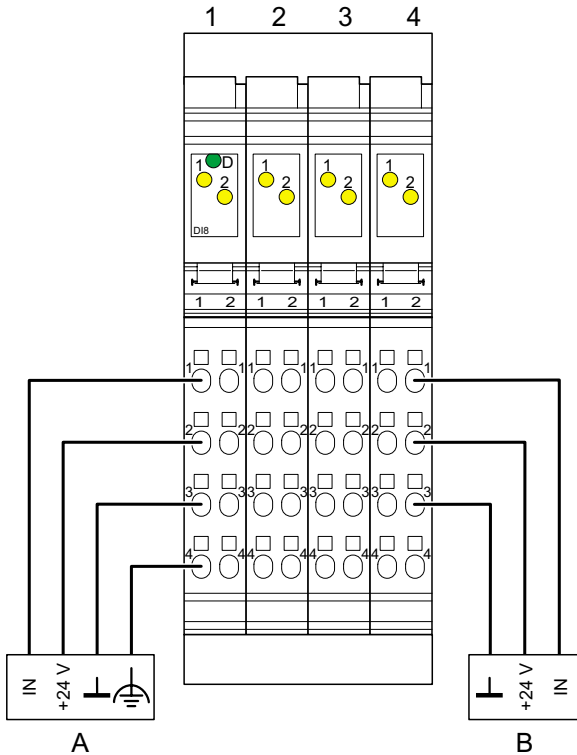
Key:

-  INTERBUS protocol chip (bus logic including voltage conditioning)
-  LED
-  Optocoupler
-  Digital input
-  Isolated area

Connection Example



When connecting the sensors, observe the assignment of the terminal points to the fielbus reference (see page 5).



55523004

Figure 4 Typical sensor connections

A 4-wire termination

B 3-wire termination

The numbers above the module display indicate the slot number.

Programming Data

ID code	BE _{hex} (190 _{dec})
Length code	81 _{hex}
Input address area	1 byte
Output address area	0 bytes
Parameter channel (PCP)	0 bytes
Register length (bus)	1 byte

Process Data Words

Assignment of the Terminal Points to the Process Data Input Word

"Word-bit" view	Word	Word 0															
	Bit	15	14	13	12	11	10	9	8	7	6	5	4	3	2	1	0
"Byte-bit" view	Byte	Byte 0								Byte 1							
	Bit	7	6	5	4	3	2	1	0	7	6	5	4	3	2	1	0
Module	Slot	4		3		2		1									
	Terminal point (signal)	2.1	1.1	2.1	1.1	2.1	1.1	2.1	1.1	Not used							
	Terminal point (+24 V)	2.2	1.2	2.2	1.2	2.2	1.2	2.2	1.2								
	Terminal point (ground)	2.3	1.3	2.3	1.3	2.3	1.3	2.3	1.3								
	Terminal point (FE [functional earth ground])	2.4	1.4	2.4	1.4	2.4	1.4	2.4	1.4								
Status indication	Slot	4		3		2		1									
	LED	2	1	2	1	2	1	2	1								



The process data output word is not used.

Technical Data

General	
Housing dimensions (width x height x depth)	48.8 mm x 120 mm x 71.5 mm (1.921 in. x 4.724 in. x 2.815 in.)
Weight	118 g (without connectors)
Operating mode	Process data operation with 1 byte
Connection type of the sensors	2-, 3-, and 4-wire technology
Permissible temperature (operation)	-25°C to +55°C (-13°F to +131°F)
Permissible temperature (storage/transport)	-25°C to +85°C (-13°F to +185°F)
Permissible humidity (operation)	5% to 90%, condensation is not permissible
Permissible humidity (storage/transport)	5% to 95%, condensation is not permissible
Permissible air pressure (operation)	80 kPa to 106 kPa (up to 2000 m [6562 ft.] above sea level)
Permissible air pressure (storage/transport)	70 kPa to 106 kPa (up to 3000 m [9843 ft.] above sea level)
Degree of protection	IP 20 according to IEC 60529
Class of protection	Class 3 according to VDE 0106, IEC 60536

Interface	
local bus interface	Through data routing

Power Consumption	
Communications power	7.5 V
Current consumption from the local bus	50 mA, maximum
Power consumption from the local bus	0.375 W, maximum
Segment supply voltage U_S	24 V DC (nominal value)
Nominal current consumption of U_S	2 A, maximum

Supply of the Module Electronics and I/O Through Bus Terminal/Power Terminal	
Connection method	Through potential routing


Digital Inputs	
Number	8
Input design	According to EN 61131-2 Type 1
Definition of operating points/switching thresholds	
Maximum low level voltage	$U_{Lmax} < 5 \text{ V}$
Minimum high level voltage	$U_{Hmin} > 15 \text{ V}$
Common potentials	Segment supply, ground
Nominal input voltage U_{IN}	24 V DC
Permissible range	$-30 \text{ V} < U_{IN} < +30 \text{ V DC}$
Nominal input current U_{IN}	5 mA
Characteristic curve of the current	Linear in the area $1 \text{ V} < U_{IN} < 30 \text{ V}$
Delay time	None
Permissible cable length to the sensor	30 m (98.4 ft.) to ensure conformance with EMC directive 89/336/EEC
Use of AC sensors	AC sensors in the voltage range $< U_{IN}$ are limited in application. (The signal levels of the AC sensors must correspond with EN 61131-2 Type 1)

Input Characteristic Curve	
Input voltage (V)	Typical input current (mA)
$-30 < U_{IN} < 0.7$	0
3	0.4
6	1.0
9	1.7
12	2.3
15	3.0
18	3.7
21	4.4
24	5.0
27	5.7
30	6.4

Power Dissipation	
Formula to calculate the power dissipation of the electronics	
$P_{tot} = 0.375 \text{ W} + \sum_{n=0}^8 \left[U_{INn} \times \frac{U_{INn} - 1.8 \text{ V}}{4400 \Omega} \right]$	
With	
P_{tot}	Total power dissipation of the terminal
n	Index of the number of set inputs $n = 0$ to 8
U_{INn}	Input voltage of the input n
Power dissipation of the housing P_{HOU}	2.8 W, maximum (Within the permissible operating temperature)

Concurrent Channel Derating	
Derating	No limitation of the simultaneity No derating

Safety Devices	
Overload in segment circuit	No
Surge voltage	Protective circuits of the power terminal
Polarity reversal	Protective circuits of the power terminal

Electrical Isolation	
	To provide electrical isolation between the logic level and the I/O area it is necessary to supply the bus terminal and the digital input terminal using the bus terminal or a power terminal from separate power supply units. Interconnection of power supply units in the 24 V range is not allowed! (For detailed information refer to the User Manual.)
Common potentials	
24 V main power, 24 V segment voltage and GND have the same potential. FE (functional earth ground) is a separate potential area.	
Separate system potentials consisting of bus terminal/power terminal and I/O terminal	
- Test distance	- Test voltage
5 V supply incoming remote bus / 7.5 V supply (bus logic)	500 V AC, 50 Hz, 1 min.
5 V supply outgoing remote bus / 7.5 V supply (bus logic)	500 V AC, 50 Hz, 1 min.
7.5 V supply (bus logic) / 24 V supply (I/O)	500 V AC, 50 Hz, 1 min.
24 V supply (I/O) / functional earth ground	500 V AC, 50 Hz, 1 min.

Error Messages to the Higher-Level Control or Computer System	
None	

Ordering Data

Description	Order Designation	Order No.
Terminal with 8 digital inputs with connectors and labeling fields	VARIO DI 8/24	KSVC-102-00141



CD Automation srl
Via Picasso 34/36
20025 Legnano
Italy



+39 - (0331)577479



+39 - (0331)579479



www.cdautomation.com

Technical modifications reserved