



CD Automation s.r.l.
 Via P. Picasso 34/36 – 21025 Legnano (MI) ITALY
 Tel: +39 0331 577479 Fax: +39 0331 579479
 e-mail: info@cdautomation.com
 Web: www.cdautomation.com

Distributed I/O Module
4 digital inputs + 8 PNP outputs
on RS-485 network

TU-E3188/4



- Field Bus data acquisition
- Master/Slave communication on RS-485 network
- MODBUS RTU/ASCII protocol
- 4 digital inputs
- 8 digital outputs, PNP type
- Over-temperature and over-current protection
- Watch-Dog alarm
- Four ways galvanic isolation 2000 Vac
- High accuracy
- EMC compliance – CE Mark
- In compliance to EN-50022 DIN rail mounting

GENERAL DESCRIPTION

The device TU-E 3188/4 is able to acquire up to 4 digital inputs and to drive up to 8 transistor outputs. The data are transmitted with MODBUS RTU/ASCII protocol on RS-485 network.

To assure safe operation of the system, the device is equipped with two Watch-Dog timers: in case of alarm, the outputs are forced automatically on the safe configuration; also, the outputs are protected against over currents and over temperature.

The 2000 Vac galvanic isolation between inputs, outputs, power supply and RS-485 serial line cancels any ground-loop effect noise, allowing the use of the device in worst ambient conditions.

The TU-E 3188/4 is in compliance to the Directive 2004/108/EC on the electromagnetic compatibility.

The TU-E 3188/4 is housed in a rough self-extinguishing plastic enclosure of 17.5 mm thickness, suitable for EN 50022 standard DIN rail.

COMMUNICATION PROTOCOLS

On the TU-E3000 modules are implemented the following communication protocols:

MODBUS RTU/ASCII Protocol: one of the most used standard communication protocol; it permit to interface the modules of TU-E3000 series directly to the greater part of PLC and SCADA software available on the market. For communication setting, refer to the User manual.

OPERATING INSTRUCTIONS

Before to install the device, please read carefully the "Installation instructions" section.

If the correct configuration of the device is unknown, could be impossible to establish a communication with the device; connecting the INIT terminal to the GND terminal, when the devices is power-on, it goes automatically to the default configuration (see the Operating Manual).

Connect the power supply, the serial bus and the I/O signals as shown in the "Wiring" section.

The "PWR" LED, changes its state in function of the working condition of the device: please refer to the "Light signalling" to verify the correct working of the device.

To make easy the maintenance or the substitution of the device, it is possible the "hot swap" of the terminals.

TECHNICAL SPECIFICATIONS (Typical @ 25 °C and under nominal conditions)

Digital Inputs		Power supply	
Channels	4	Supply Voltage	10 .. 30 Vdc
Input voltage (bipolar)		Current consumption	45 mA @ 24 Vdc
OFF State	0 ÷ 3 V	Reverse Polarity protection	60 Vdc max
ON State	10 ÷ 30 V	Isolation Voltage	2000 Vca 50 Hz, 1 min. (Inputs/Outputs/RS485/Power supply)
Impedance	4.7 KΩ	Temperature & Humidity	
Digital Outputs		Operating Temperature	-10°C .. +60°C
Channels	8	Storage Temperature	-40°C .. +85°C
Type	PNP	Non-condensing Humidity	0 .. 90 %
Voltage	10.5÷30 Vdc	Enclosure	
Max. Load	500 mA per channel(*)	Material	self-extinguishing plastic
	1 A per module	Mounting	EN-50022 DIN rail
Inductive Load	48 Ω – 2H max	Weight	about 150 g.
(*) Protection against over-current and over-temperature Short circuit current 1.7 A max.		EMC (for industrial environments)	
Sample time	5 ms	Immunity	EN 61000-6-2
Data Transmission (asynchronous serial)		Emission	EN 61000-6-4
Baud rate	up to 115.2 Kbps		
Max. Distance	1.2 Km – 4000 ft.		

INSTALLATION INSTRUCTIONS

The device DAT 3188 is suitable to be mounted on DIN rail, in vertical position. For a correct working and a long life of the device, read the following indications.

In case of the devices are mounted side by side, please leave about 5mm between in the following situations:

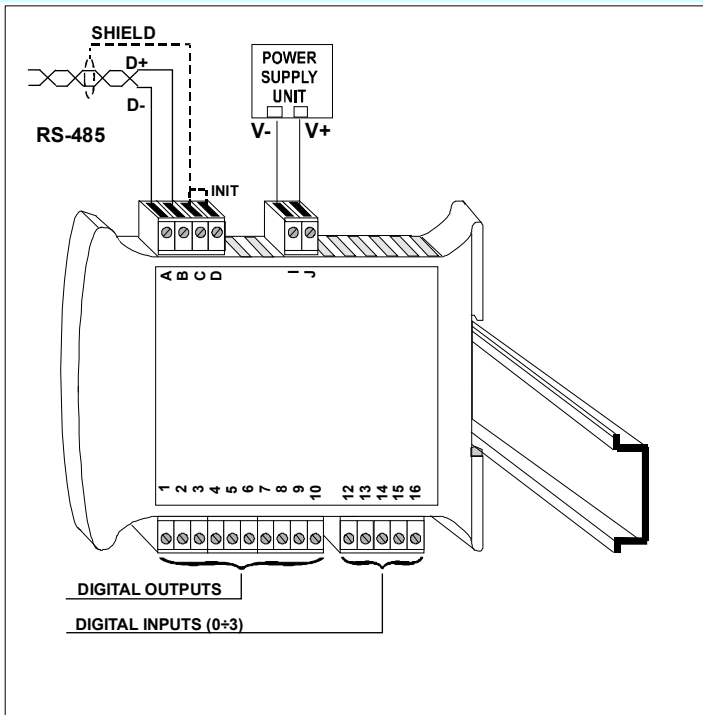
- Temperature in the cabinet higher than 45 °C and high supply voltage (>27Vdc).

Avoid to place raceways or other objects which could obstruct the ventilation slits. It is suggested to avoid that devices are mounted above appliances generating heat; their ideal place should be in the lower part of the panel.

Avoid to install the devices in a site where vibrations are present.

It is recommended to use shielded cable for connecting signals. The shield must be connected to an earth wire provided for this purpose. Moreover it is suggested to avoid routing conductors near power signal cables.

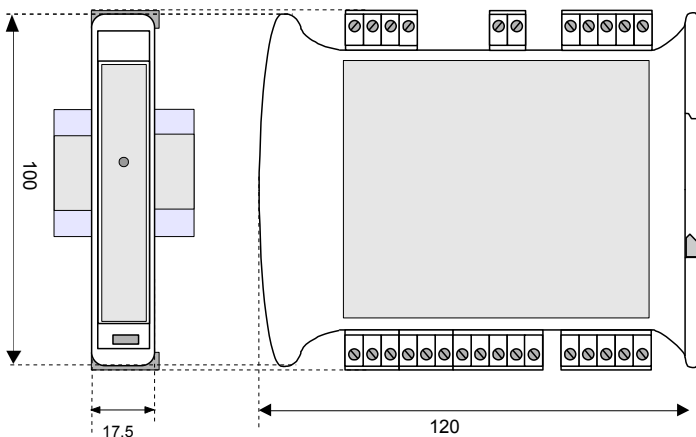
CABLING



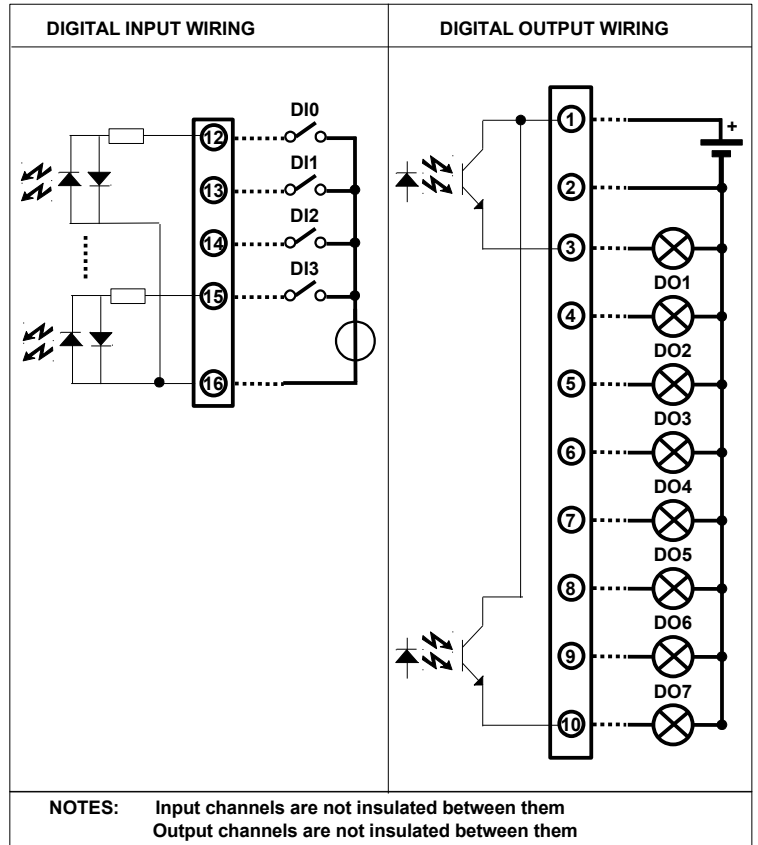
LIGHT SIGNALLING

LED	COLOUR	STATE	DESCRIPTION
PWR	GREEN	ON	Device powered
		OFF	Device not powered or wrong RS-485 connection
		RAPID BLINK	Communication in progress (the blink frequency depends to the Baud-rate)
		SLOW BLINK	~1 sec. - Watch-Dog Alarm condition

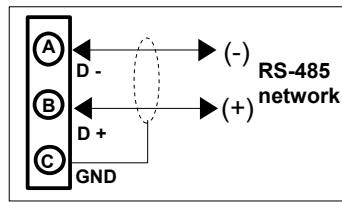
MECHANICAL DIMENSIONS (mm)



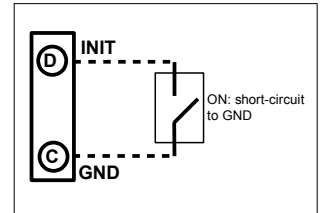
WIRING



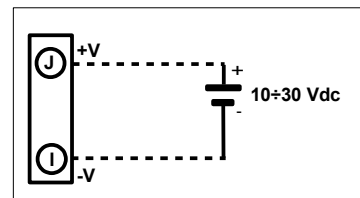
RS-485 NETWORK WIRING



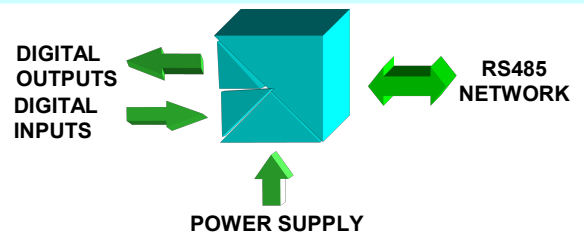
INIT WIRING



POWER SUPPLY WIRING



ISOLATION DIAGRAM



HOW TO ORDER

In the order phase it is mandatory to specify interface type (RS485 or RS232).

TU-E 3188 / 4 / 485

Interface type:
485 : RS-485
232 : RS-232

■ = Mandatory
□ = Optional